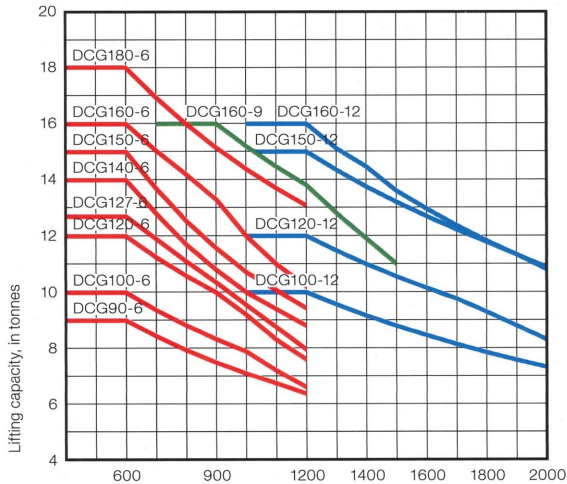
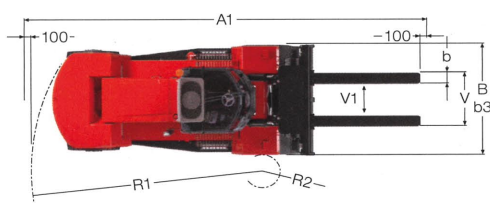
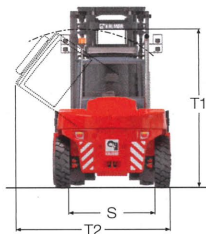
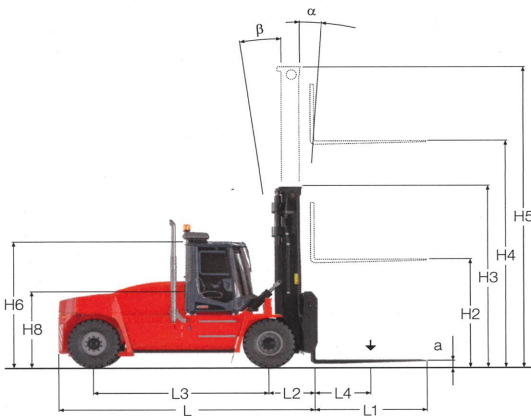


Technical information



Load centre, mm

DCG90-6 to DCG180-6 models:
Full lifting capacity up to 5000 mm lift height with duplex/duplex
freelift/triplex masts and integrated sideshift/fork positioning carriage.



| MAIN DATA | | DCG 160-12 |
|--|--------------------|---------------|
| Model designation | | DCG 160-12 |
| Power source | | Diesel |
| Rated capacity / rated load | kg | 16000 |
| Load center distance | mm L4 | 1200 |
| Load distance, center of drive axle to fork | mm L2 | 1000 |
| Wheelbase | mm L3 | 3750 |
| | | |
| WEIGHTS | | |
| Service weight | kg | 22400 |
| Axle loading, unloaded front | kg | 10500 |
| Axle loading, loaded front | kg | 35800 |
| Axle loading, unloaded rear | kg | 11900 |
| Axle loading, loaded rear | kg | 2600 |
| | | |
| WHEELS | | |
| Type, front / rear | | |
| Tyre size, front | inch | |
| Tyre size, rear | inch | |
| Number of wheels, front / rear (x = driven wheels) | | 4x / 2 |
| Track width, front / rear | mm S | 1855 / 1960 |
| Tyre pressure | MPa | 1,0 |
| | | |
| DIMENSIONS | | |
| Mast tilt, α = forward / β = backward | ° α / β | 5 / 10 |
| Height of mast lowered | mm H3 | 4195 |
| Lift height | mm H4 | 5000 |
| Height of mast extended | mm H5 | 6565 |
| Truck height – EGO / OHG cabin roof | mm H6 | 2920 |
| Seat height | mm H8 | 1770 |
| Height when tilting EGO cab / OHG | mm T1 | 3395 |
| Width when tilting EGO cab / OHG | mm T2 | 3380 |
| Truck length (to face of forks) | mm L | 5575 |
| Truck width | mm B | 2540 |
| Fork dimensions, width | mm b | 250 |
| Fork dimensions, thickness | mm a | 100 |
| Fork dimensions, length of fork arm | mm l | 2400 |
| Fork carriage width | mm b3 | 2500 |
| Width over fork arms, minimum / maximum | mm V | 2360 / 700 |
| Sideshift \pm @ width over forks | mm V1 / V | 415 / 1530 |
| Ground clearance, laden, below mast | mm | 250 |
| Ground clearance, machine | mm | 350 |
| Min. aisle width for 90° stacking with forks | mm A1 | 8770 |
| Turning radius | mm R1 | 5175 |
| Internal turning radius | mm R2 | 600 |
| | | |
| OTHERS | | |
| Operating pressure for hydraulics | MPa | 18,0 |
| Hydraulic oil tank, capacity | l | 220 |
| Fuel tank, capacity | l | 170 |
| AdBlue tank, capacity | l | 15 |

| Lift height H4 | Mast height | | Free lift H2 |
|---------------------|-------------|--------|--------------|
| | H3 min | H5 max | |
| DCG100-180** | | | |
| 5500 | 3463 | 7190 | 1833 |

+25 mm on H3 and H5 on the DCG140
**DCG150-180-6, DCG160-9, DCG100-160-12

TRIPLEX FFL, CW